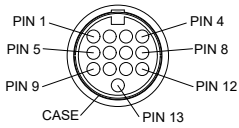


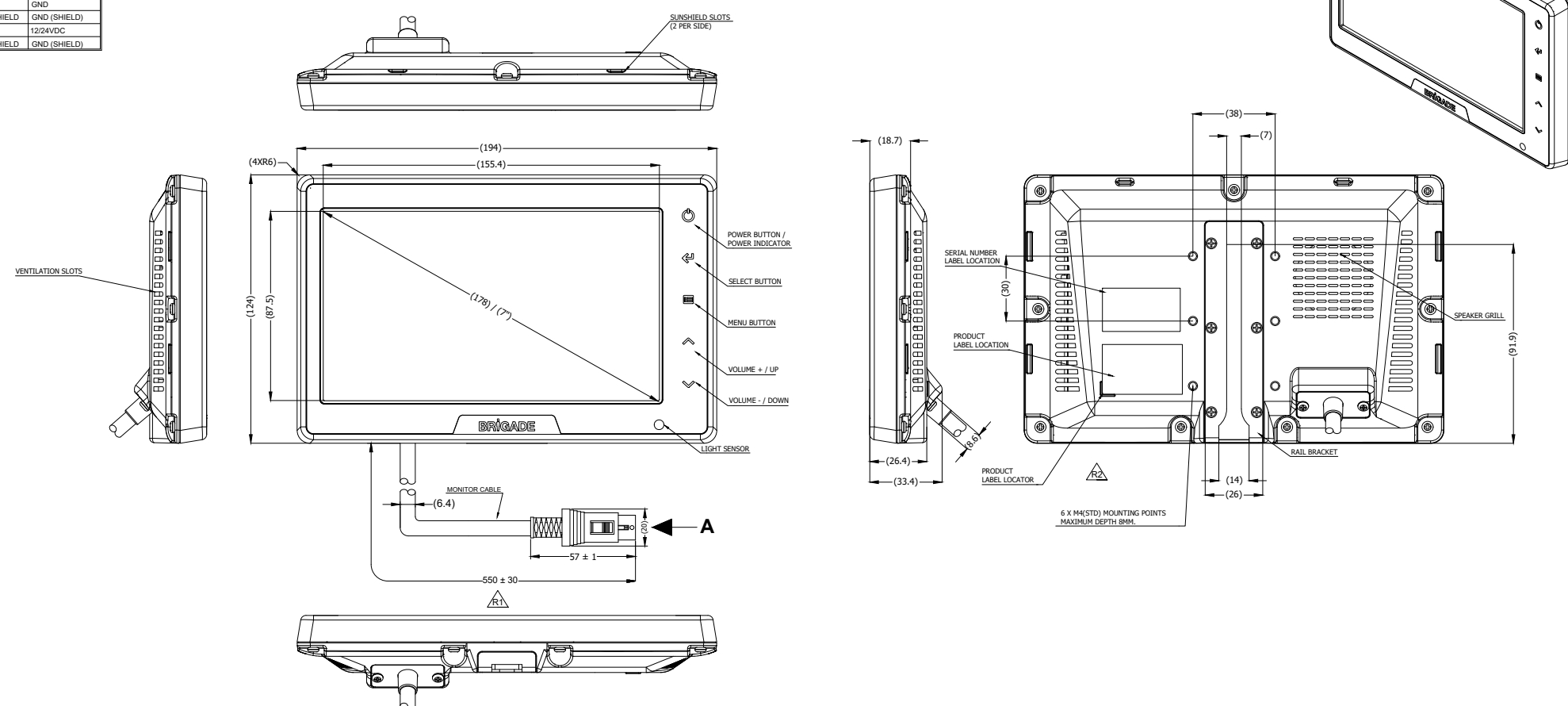
VIEW A



13 PIN MALE MATING FACE

PIN #	WIRE COLOUR	DESCRIPTION
1	PINK	CA2 VIDEO
2	SKY BLUE	CA2 12VDC OUT
3	BROWN	CA1 TRIGGER
4	ORANGE	CA2 AUDIO
5	YELLOW	CA1 VIDEO
6	VIOLET	CA1 12VDC OUT
7	BLUE	CA2 TRIGGER
8	GREEN	CA1 AUDIO
9	GREY	CA2 ADD. FUNC.
10	LIGHT GREEN	CA1 ADD. FUNC.
11	WHITE	GND
12	BLACK / SHIELD	GND (SHIELD)
13	RED	12/24VDC
CASE	BLACK / SHIELD	GND (SHIELD)

Revision Notes				
R1 - MONITOR PIG TAIL DIMENSIONS UPDATED AS PER CR-A995.				
APA: T. CHOI	Drawn: S. GOVENDER	Checked: L. CHEUNG	Approved: R. PENTLEY	Date: 12/06/2023
R2 - DEFINE PRODUCT LABEL AND SN LABEL LOCATION AS PER P1601				
APA: T. CHOI	Drawn: L. CHEUNG	Checked: D. FOALE	Approved: A. KEBEDE	Date: 01/10/2024



- NOTES:**
- MATERIAL: PC PLASTIC.
 - FINISH: DARK GREY SPRAY.
 - BRIGADE LOGO AND BUTTON LABELING TO BE WHITE SILKSCREEN.
 - FOR LABELING DETAIL REFER TO MASTER BOM.
 - FIRMWARE VERSION "LPP3 v0.3.3 221007" TO BE PRELOADED TO THE MONITOR DURING MANUFACTURE.

PROPRIETARY NOTICE
 THIS DESIGN AND TECHNICAL INFORMATION APPEARING ON THIS DRAWING IS THE PROPERTY OF BRIGADE ELECTRONICS, AND IS DISCLOSED IN CONFIDENCE. IT IS NOT TO BE COPIED, REPRODUCED, REVEALED TO OR EXPROPRIATED BY OTHERS, EITHER IN WHOLE OR IN PART WITHOUT THE EXPRESS WRITTEN CONSENT OF BRIGADE ELECTRONICS.



Assembly Pl Approval T. CHOI	Approved by A. KEBEDE	Checked by L. CHEUNG	Drawn by S. GOVENDER
Angle of Projection 	Units mm	Scale N/A	Released 21/12/22
Status RELEASED	Assembly Ref T. CHOI		
Part No 6381	BE-870HM-M		
	BE-004487-02-20		